

# Infrared sensor ABZ-22IR / ABZ-22IRS

## ● Features

- Built-in micro controller for decoding infrared signal to avoid interference from the noise.
- With bi-color status LED (Power on: **Red** / Proximity: **Blue**).
- Adjustable proximity range:  
**ABZ-22IR: 3~10cm** (Default: 10 cm), depending on the reflection rate of different object.  
**ABZ-22IRS: 0.5~10cm** (Default: 0.5 cm), depending on the reflection rate of different object.
- Support **adjustable opening time 0.5~20 Sec.** (Default: 0.5 Sec.) or **latched ON or OFF output.**
- With **N.C.** and **N.O.** output.

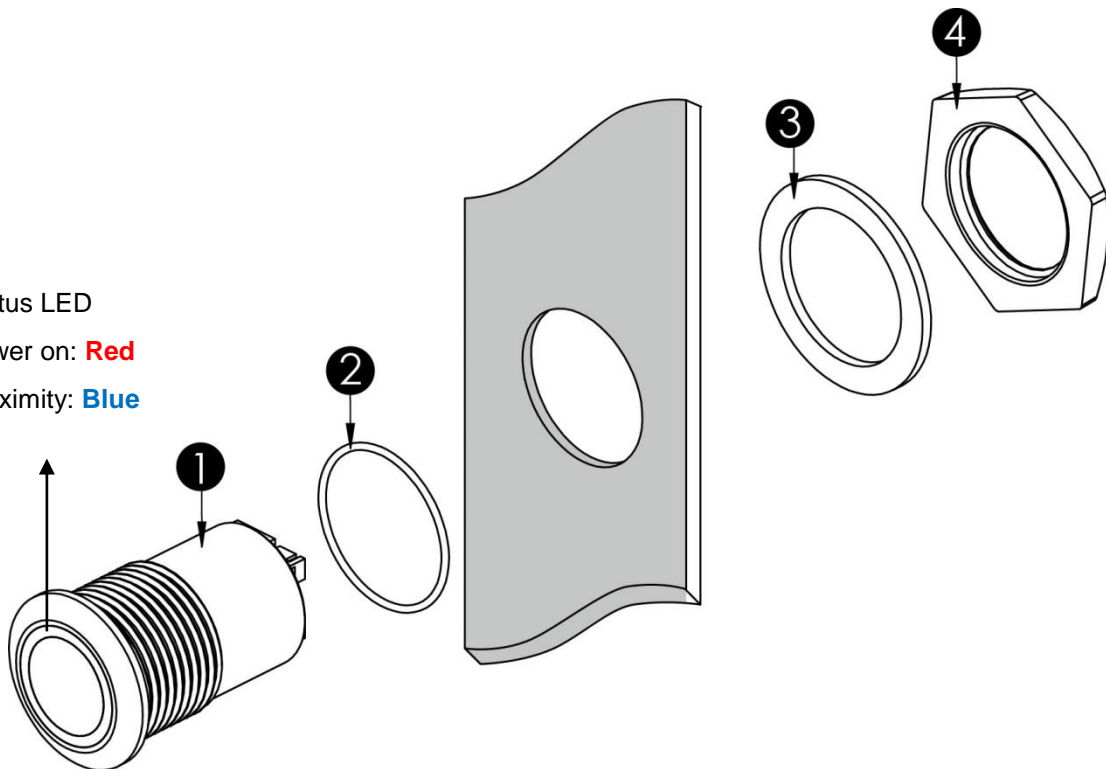
## ● Specification

Material	Metal
Waterproof	IP65
Power supply	DC10V~24V
Relay contact rating	1A@ 30 VDC
Current	Standby Current: 34mA(10V), 21mA(24V) Operating Current: 55mA(10V), 33mA(24V)
Operating temperature	-20°C ~ 75°C
Life	100,000 cycles (1A 30VDC, 0.3A 125VDC) 50,000,000 cycles (Dry Contact)

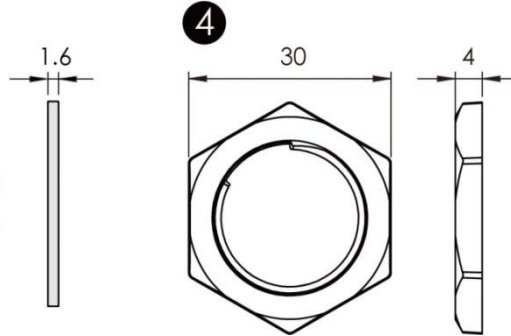
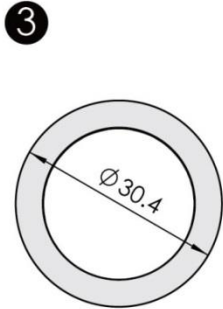
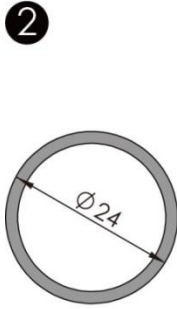
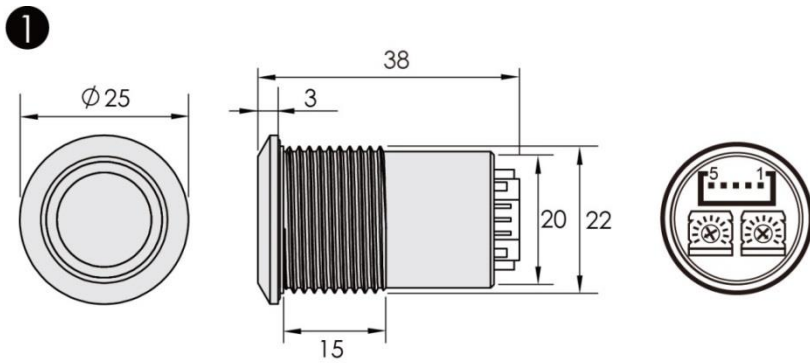
## ● Appearance



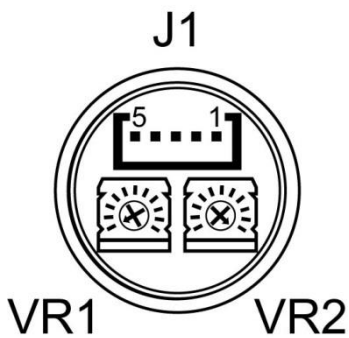
Status LED  
 Power on: **Red**  
 Proximity: **Blue**



## ● Dimension: Unit(mm)



● Pin definition



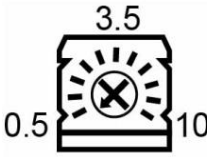
J1 - Power and relay output				
		Pin	Color	Function
Yellow	Red	1	Red	DC10~24V
		2	Black	GND
		3	Grey	COM.
		4	Brown	N.O.
		5	Yellow	N.C.

VR1 - Adjustable opening time. (Unit: Sec.)	
	<b>Adjustable opening time</b> : 0.5~20 Sec. <b>Latch ON or OFF:</b> Turn right to the end <b>(Default: 0.5 Sec.)</b>

VR2 - Adjustable proximity range. (Unit: cm)	
	<b>ABZ-22IR:</b> <b>Adjustable proximity range:</b> 3~10cm <b>(Default: 10 cm)</b>

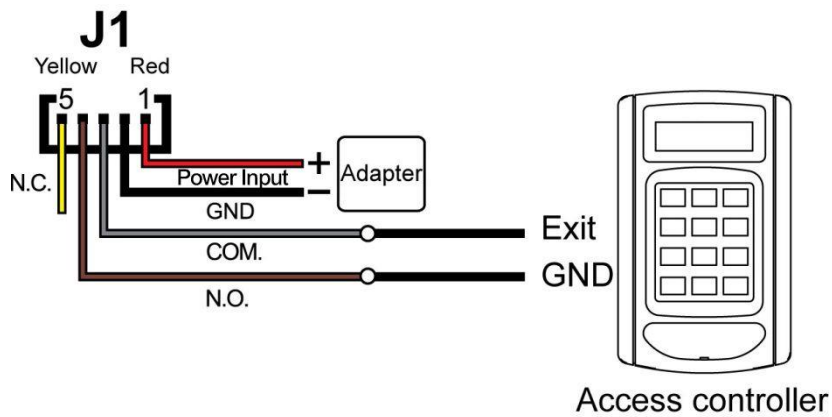
	<b>ABZ-22IRS:</b> <b>Adjustable proximity range:</b> 0.5~10cm <b>(Default: 0.5 cm)</b>
---	---

● **Note**

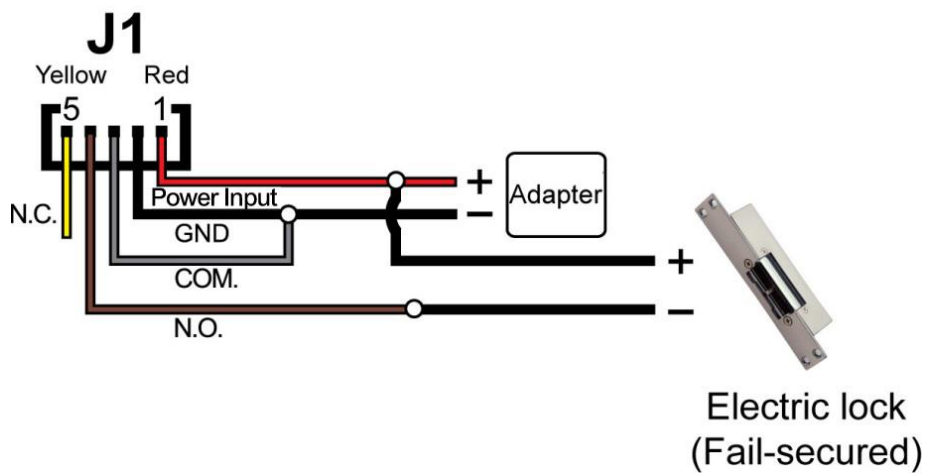
- Please make sure the voltage range before installing to avoid product damage.
- Please check no other object in front of the infrared sensor before turning on the power.
- Please re-transmission power or proximity the infrared sensor three times after adjusting VR1.
- Attention: Please do not turn the internal PCB to prevent light leak and further act incorrectly.

● **Wiring diagram**

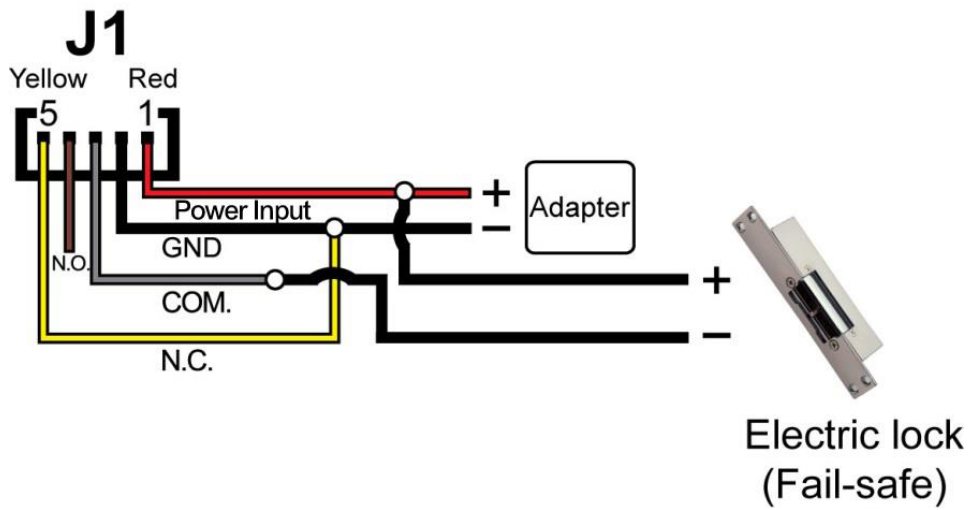
**Connect to access controller**



**Connect to electric lock (Fail-secured)**



**Connect to electric lock (Fail-safe)**



● **Packing list**

- |                 |         |
|-----------------|---------|
| Manual          | : 1 pcs |
| 5 Pin connector | : 1 pcs |

\* **We reserve the right to change the specification without prior notice or obligation!** W-04-ABZ-221R/E